



PLX-Pure Lead High Rate PLX12-360 (12V360W)

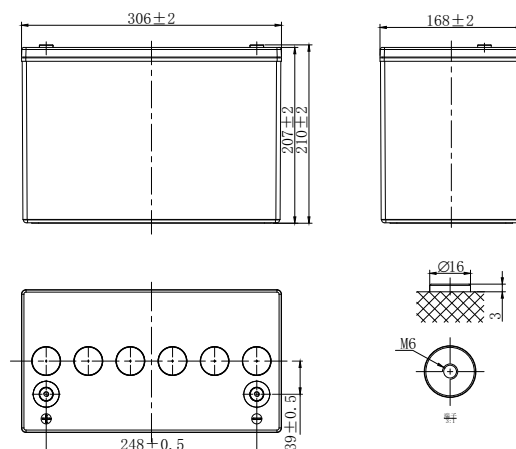


Specifications

Rated Voltage	12V	
Nominal Rate ($W_{15}, 1.67V/cell$)	360W	
Nominal Capacity($C_{20}, 1.80V/cell$)	90Ah	
Dimension	Length	306±2mm (12.05 inches)
	Width	168±2mm (6.61 inches)
	Container Height	207±2mm (8.15 inches)
	Total Height	210±2mm (8.27 inches)
Approx. Weight	29.5 Kg (65.0 lbs)	
Terminal	M6	
Container Material	PC-ABS flame retardant jar and cover to UL94 V-0	
Rated Capacity (25°C)	9.56 Ah	(20hr, 4.78A, 1.80V/cell)
	90.0 Ah	(10hr, 9.00A, 1.80V/cell)
	86.5 Ah	(5hr, 17.3A, 1.75V/cell)
	76.2 Ah	(3hr, 25.4A, 1.75V/cell)
	68.1 Ah	(1hr, 68.1A, 1.67V/cell)
Max. Discharge Current	1080A	
Internal Resistance (25°C)	Approx. 3.60mΩ(Fully charged)	
Operating Temp. Range	Discharge	-40 ~ 65°C (-40 ~ 149°F)
	Charge	0 ~ 40°C (32 ~ 104°F)
	Storage	-20 ~ 40°C (-4 ~ 104°F)
Nominal Operating Temp. Range	25±3°C (77±5°F)	
Max. Charging Current(25°C)	27.0A	
Charge voltage(25°C)	Float	13.62V
	Temp. Coefficient	-3mV/cell/°C
	Equalization	14.1~14.4V
Effect of temp. to Capacity	40°C (104°F)	103%
	25°C (77°F)	100%
	0°C (32°F)	86%
Self Discharge	<p>PLX series batteries can be stored up to 24 months at 25°C(77°F), For higher temperatures the time interval will be shorter.</p> <p>Battery needs to be given a freshening charge when the OCV approach 2.10V/cell or when the maximum storage time is reached, whichever occurs first.</p>	



Layout



Constant Current Discharge (Amperes) at 25 °C (77° F)

F.V/Time	5min	10min	15min	20min	30min	45min	1h	2h	3h	4h	5h	8h	10h	20h
1.85V/cell	256.1	187.2	149.8	134.1	99.7	73.9	60.0	33.2	23.7	19.0	16.2	10.7	8.90	4.69
1.80V/cell	294.9	215.8	167.0	146.5	106.5	77.7	62.4	34.7	24.8	19.8	16.9	11.1	9.00	4.78
1.75V/cell	322.3	236.2	180.9	156.3	113.4	79.9	64.2	35.7	25.4	20.3	17.3	11.3	9.12	4.84
1.70V/cell	347.3	255.5	192.5	164.4	117.7	82.8	66.7	36.2	25.9	20.7	17.5	11.4	9.35	4.88
1.67V/cell	387.6	269.1	203.0	170.8	122.5	86.0	68.1	36.8	26.2	21.0	17.7	11.5	9.51	4.92
1.60V/cell	418.9	273.6	209.9	175.6	124.9	87.3	69.3	37.4	26.5	21.2	17.9	11.6	9.57	4.96

Constant Power Discharge (Watts/cell) at 25 °C (77° F)

F.V/Time	5min	10min	15min	20min	30min	45min	1h	2h	3h	4h	5h	8h	10h	20h
1.85V/cell	491.6	366.1	294.7	265.1	198.1	147.6	120.1	66.7	47.9	38.6	33.0	22.0	18.3	9.71
1.80V/cell	558.3	417.9	325.2	286.9	210.0	154.0	124.2	69.3	49.7	39.9	34.3	22.6	18.4	9.85
1.75V/cell	603.0	453.2	349.3	303.4	221.4	156.9	126.7	70.8	50.7	40.8	34.8	22.8	18.6	9.92
1.70V/cell	639.2	484.5	357.0	315.7	227.5	161.0	130.6	71.3	51.3	41.2	35.1	22.9	19.0	9.96
1.67V/cell	703.7	506.6	360.0	326.0	235.5	166.3	132.7	72.2	51.6	41.6	35.3	23.1	19.2	9.98
1.60V/cell	744.3	510.2	393.8	331.9	237.6	167.4	133.7	72.6	51.8	41.6	35.3	23.1	19.2	10.0



PLX-Pure Lead High Rate PLX12-360 (12V360W)



Applications

- UPS
- Emergency lighting
- Emergency power supply
- Electrical starting
- Power tools

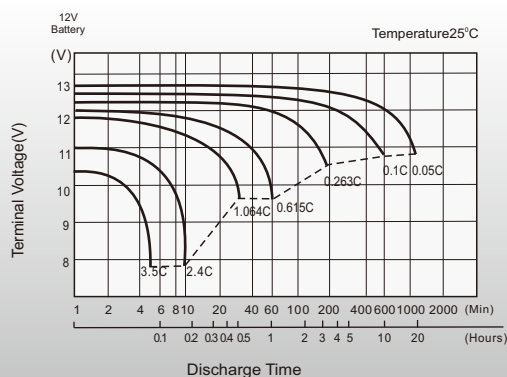
General Features

- 15 years design life(25°C)
- Premium ABS+PC jar & covers, Flame Retardant to UL94 V-0
- High-rate performance, high energy density
- High quality AGM separators minimize electrical resistance to allow high current discharging properties

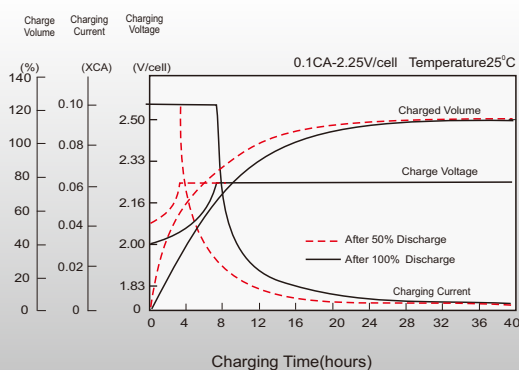
Standards

- Classified as "Very Long Life" according to Eurobat
- CE Certified
- Manufactured in Leoch@IATF16949, OHSAS 18001, ISO 9001 and ISO 14001 certified production facilities

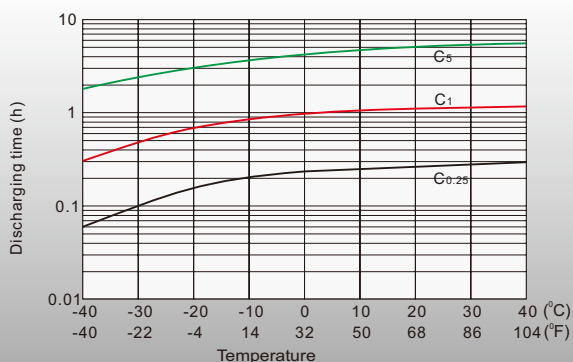
Discharge Characteristics



Float Charging Characteristics



Effects of Temperature on Discharging Time



Self-discharge Characteristics

