

SBL330-12HR V0 Xtreme (12V75Ah)

Applications

- Uninterruptable Power Supply (UPS)
- Electric Power System (EPS)
- Emergency backup power supply
- Emergency light
- Railway signal
- Alarm and security system
- Communication power supply
- DC power supply



Certificates



Conform to
IEC60896-21&22

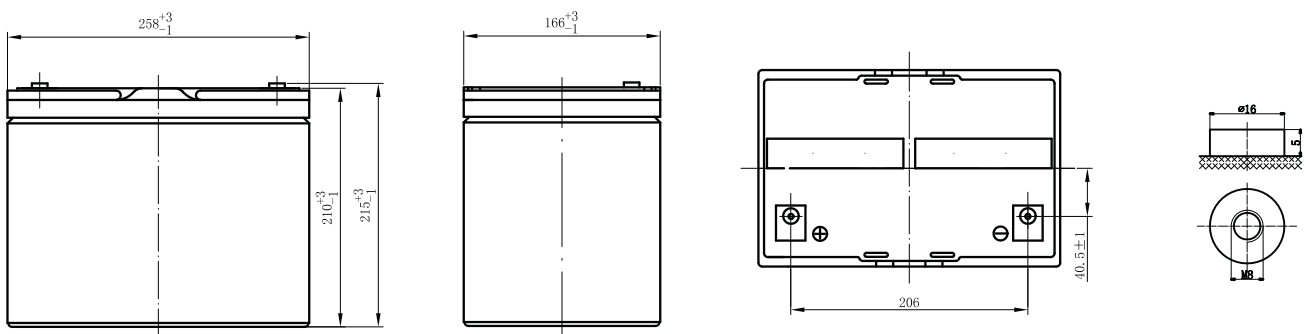
Specifications

Nominal Voltage	12V	Operating Temp. Range	Discharge: -20~60°C
Nominal Capacity	75Ah (C ₁₀ , 1.8V/cell)		Charge: -10~45°C
Approx. Weight	24.5kg		Storage: -20~60°C
Terminal	M8	Standby Use	Initial Charging Current less than 24A.
Container Material	ABS UL94 V0		Voltage 2.3025 V/cell at 20°C.
Rated Capacity (20°C)	75Ah/7.5A, 10hr, 10.8V		Temperature Coefficient -20mV/°C.
	64.2Ah/12.84A, 5hr, 10.5V	Capacity affected by Temp.	30°C 103%
	58.89Ah/19.63A, 3hr, 10.5V		20°C 100%
	69.1Ah/69.1A, 1hr, 9.6V		0°C 86%
Max. Discharge Current	670A (5s)	Self Discharge	SSB batteries may be stored for up to 6 months at 20°C and then a freshening charge is required. For higher temperatures the time interval will be shorter.
Internal Resistance / Impedance (1kHz)	Approx. 5.0mΩ	Life Expectancy	>12 years according to EUROBAT
Nominal Oper. Temp. R.	20±2°C		

Dimensions

■ M8 Terminal

Unit: mm | Dimensions: 258 Length X 166 Width X 210 Height (215 Height incl. Terminal)



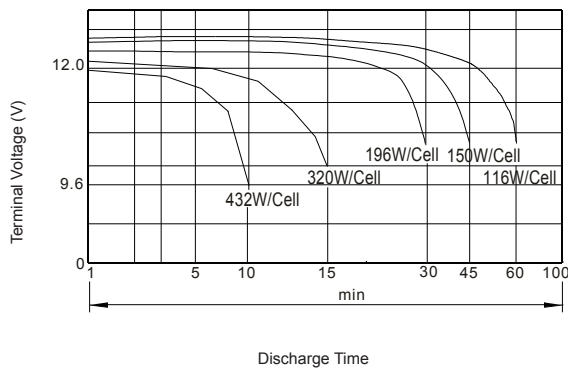
Constant Current Discharge (Amperes) at 20°C

End Voltage	3min	5min	10min	15min	20min	25min	30min	45min	60min	90min	3h	5h	8h	10h
1.60V/cell	397	332	242	183	153	130	116	87.8	69.1	39.20	21.15	13.70	9.16	7.80
1.65V/cell	386	319	231	174	148	127	113	85.2	67.3	38.10	20.55	13.41	8.96	7.73
1.67V/cell	382	314	227	170	146	126	112	84.2	66.6	37.70	20.40	13.23	8.86	7.73
1.70V/cell	372	305	216	164	140	122	109	82.2	64.2	37.25	20.18	13.10	8.76	7.65
1.75V/cell	348	272	198	154	131	113	102	79.1	62.2	36.40	19.63	12.84	8.60	7.58
1.80V/cell	318	249	183	144	124	108	98	73.6	57.9	35.45	19.08	12.53	8.40	7.50

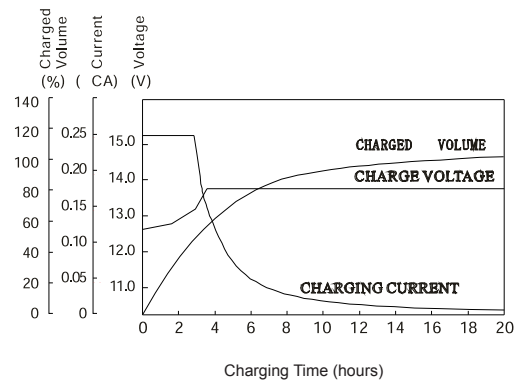
Constant Power Discharge (Watts/cell) at 20°C

End Point	3min	5min	10min	15min	20min	25min	30min	45min	60min	90min	3h	5h	8h	10h
1.60V/cell	810	640	432	327	281	241	213	158	124	71.64	42.09	27.10	17.91	14.84
1.65V/cell	754	598	420	322	273	235	209	155	122	69.74	41.09	26.55	17.53	14.55
1.67V/cell	732	581	415	320	270	232	207	154	121	68.77	40.52	26.26	17.35	14.40
1.70V/cell	673	551	386	301	263	228	204	152	119	67.83	39.96	25.98	17.17	14.26
1.75V/cell	643	500	364	288	249	216	196	150	116	65.93	38.96	25.42	16.81	13.94
1.80V/cell	583	465	340	273	238	210	188	142	111	64.13	37.83	24.75	16.43	13.65

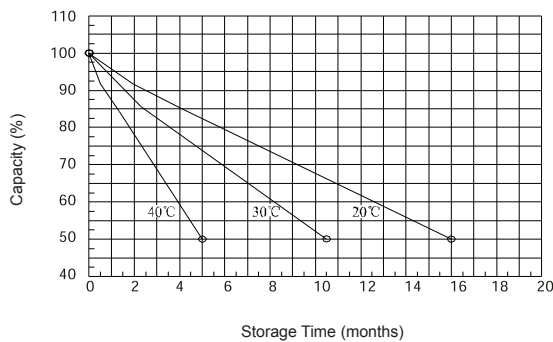
Discharge Characteristics



Float Charging Characteristics



Self-Discharge Characteristic



Effect of Temperature on Long Term Float Life

