



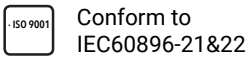
# SBL28-12i (12V28Ah)



## Applications

- Uninterruptable Power Supply (UPS)
- Electric Power System (EPS)
- Emergency backup power supply
- Emergency light
- Railway signal
- Alarm and security system
- Communication power supply
- DC power supply

## Certificates

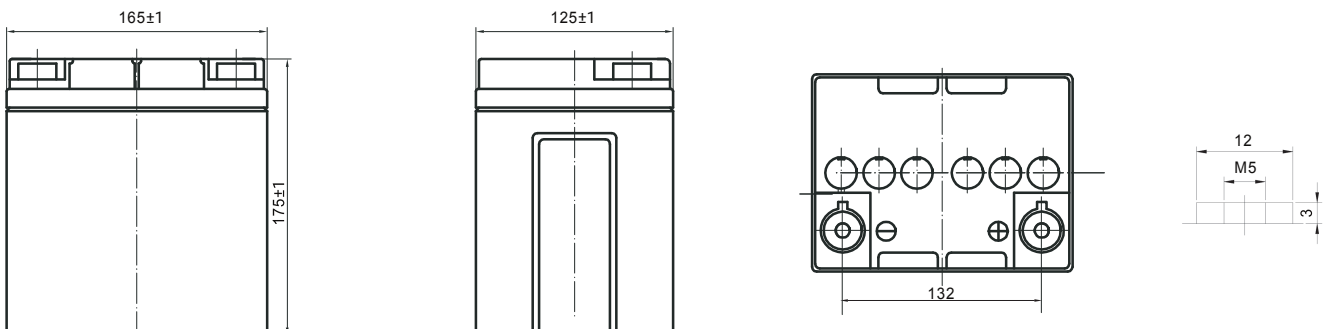


## Specifications

<b>Nominal Voltage</b>	12V	<b>Nominal Oper. Temp. R.</b>	20±3°C
<b>Nominal Capacity</b>	28Ah (C <sub>20</sub> , 10.5V)	<b>Operating Temp. Range</b>	Discharge: -20~50°C Charge: -10~50°C Storage: -20~50°C
<b>Approx. Weight</b>	8.6kg	<b>Standby Use</b>	No limit on Initial Charging Current. Voltage 2.295 V/cell at 20° C. Temperature Coefficient -20mV/°C.
<b>Terminal</b>	M5	<b>Capacity affected by Temp.</b>	40°C 103% 25°C 100% 0°C 86%
<b>Container Material</b>	ABS UL94 HB	<b>Self Discharge</b>	SSB batteries may be stored for up to 6 months at 20°C and then a freshening charge is required. For higher temperatures the time interval will be shorter.
<b>Rated Capacity (20°C)</b>	28Ah/1.40A, 20hr, 10.5V 26Ah/2.6A, 10hr, 10.5V 24.64Ah/3.08A, 8hr, 10.5V 23.8Ah/4.76A, 5hr, 10.5V 21Ah/7.0Ah, 3hr, 10.5V 17.6Ah/17.6A, 1hr, 9.6V	<b>Life Expectancy</b>	10-12 years according to EUROBAT
<b>Max. Discharge Current</b>	420A (5s)		
<b>Internal Resistance / Impedance (1kHz)</b>	Approx. 11mΩ		

## Dimensions

- **M5 Terminal** Unit: mm | Dimensions: 165 Length X 125 Width X 175 Height (175 Height incl. Terminal)



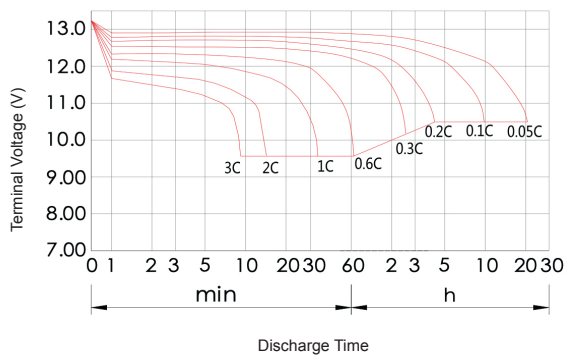
### Constant Current Discharge (Amperes) at 20°C

F.V/Time	5min	10min	15min	30min	60min	2h	3h	4h	5h	8h	10h	20h
9.60V	95.9	64.8	51.3	28.6	17.6	9.95	7.14	5.71	4.86	3.14	2.64	1.42
9.90V	93.1	62.9	50.1	28.0	17.3	9.89	7.10	5.68	4.83	3.12	2.63	1.42
10.2V	89.2	60.3	48.2	27.2	16.8	9.80	7.05	5.64	4.79	3.10	2.62	1.41
10.5V	85.4	57.7	46.6	26.5	16.5	9.65	7.00	5.60	4.76	3.08	2.60	1.40
10.8V	80.5	54.4	44.1	25.6	16.0	9.41	6.79	5.43	4.62	2.99	2.55	1.37

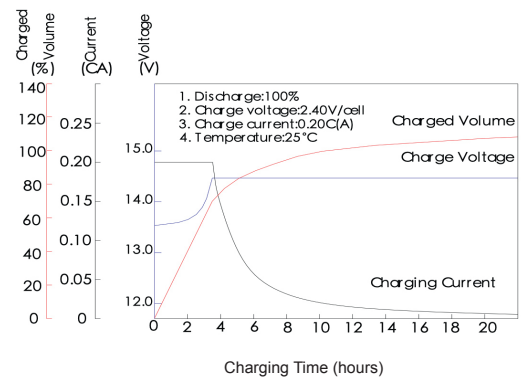
### Constant Power Discharge (Watts/cell) at 20°C

F.V/Time	5min	10min	15min	30min	60min	2h	3h	4h	5h	8h	10h	20h
9.60V	1075	731	585	328	203	116	84.8	68.0	58.0	37.7	31.7	17.1
9.90V	1042	709	571	321	200	116	84.3	67.6	57.6	37.5	31.6	17.0
10.2V	1000	680	550	312	195	115	83.7	67.2	57.2	37.2	31.4	16.9
10.5V	957	651	531	304	191	113	83.2	66.7	56.8	37.0	31.2	16.8
10.8V	903	614	503	293	185	110	80.7	64.7	55.1	35.9	30.6	16.5

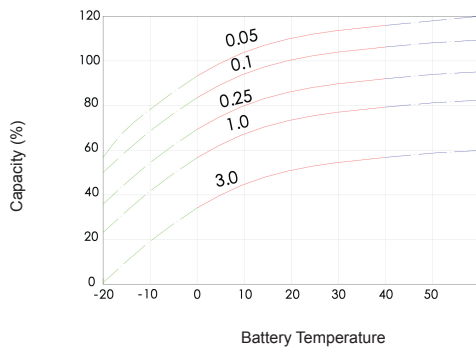
### Discharge Characteristics



### Float Charging Characteristics



### Temperature Effects in Relation to Battery Capacity



### Effect of Temperature on Long Term Float Life

