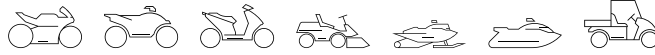


Motorcycle Batteries



intAct Bike-Power GEL

Sealed maintenance-free GEL battery | electrolyte immobilized by gel-additive | wet charged

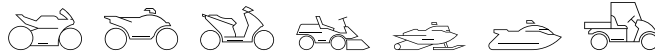


FOR HEAVY LOADS, INCLUDING ABS

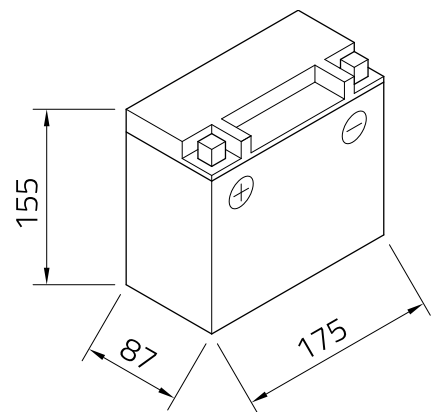
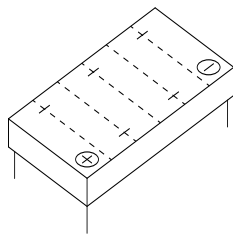
Delivers 30% more starting power for modern motorcycles with many electrical consumers and covers consumption peaks. Low self-discharge, bike starts reliably even after up to 3 months. Our recommendation if many consumers are installed or the motorcycle is rarely used.

- » **Even more cycle-resistant** than Bike-Power AGM and Bike-Power SLA of the same box size.
- » **Low self-discharge.** For seasonal use.
- » **Very high vibration-resistance.** Electrolyte immobilized by gel-additive.
- » **30% more starting power** than a conventional battery of the same box size. For motorcycles with many consumers, including ABS.
- » **Sealed maintenance-free** battery. Refilling is neither possible nor necessary.
- » Wet charged. **Ready to use.**

Datasheet

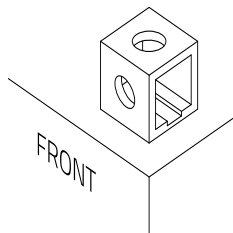


| | |
|---------------------|--------------------------|
| Artnum. | GEL12-20-BS |
| Japan-Code | CTX20-BS, 82001 |
| Volt | 12V |
| Capacity | 18 AH (c20) |
| CCR - 18°C (EN) | 300 A (EN) |
| Electrolyte | diluted sulphuric acid |
| Electrolyte density | 1,28 +/- 0,01 kg/l (25°) |
| Size (LxWxH) | 175 x 87 x 155 mm |
| Weight | 6,5 kg |
| Pos. of Terminal | 1 |



Technology Sealed maintenance-free GEL battery | electrolyte immobilized by gel-additive | wet charged

Terminal A



Base plate -

As of 21.11.2022



Stefan Keckeisen
Akkumulatoren e.K.

Europastraße 9
87700 Memmingen

Fon +49 (0) 8331-94444-0
Fax +49 (0) 8331-94444-9

info@intact-batterien.de
www.intact-batterien.de