

Starter Batteries

START POWER



intAct Start-Power

Calcium or hybrid battery (Ca/Ca or Sb/Ca)



intAct
BATTERY - POWER

TOP PERFORMANCE AT A GREAT PRICE

Designed for performance and extreme high current capability offering perfect value for money. For almost all passenger cars, coaches, trucks and agricultural machinery. Our recommendation for a solid battery when cost is a major consideration.

- » Durable, safe and reliable.
- » **2 versions:** Calcium battery (Ca/Ca) wet charged (GUG) or dry-charged (TV) hybrid battery (Sb/Ca).
- » Low maintenance or maintenance free.
- » Wet charged version in part with double lid for increased leak protection and vapour condensation.
- » All truck/utility and Asia models only low-maintenance (with vent caps on top).
- » Not suitable for vehicles with charging voltage 14.8 volts.



Artnum. **55041BGUG**

Japan-Code **keine**

Volt **12V**

Capacity **50 AH (c20)**

CCR - 18°C (EN) **360 A (EN)**

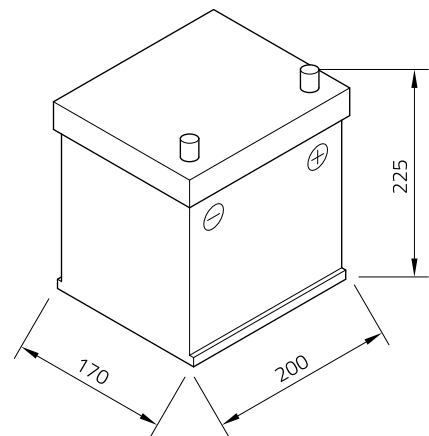
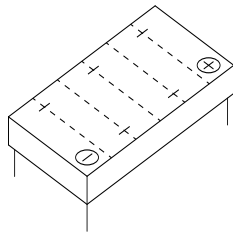
Electrolyte **diluted sulphuric acid**

Electrolyte density **1,28 +/- 0,01 Kg/l (25° C)**

Size (LxWxH) **200 x 170 x 225 mm**

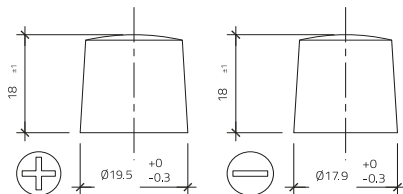
Weight **12,9 kg**

Pos. of Terminal **0**

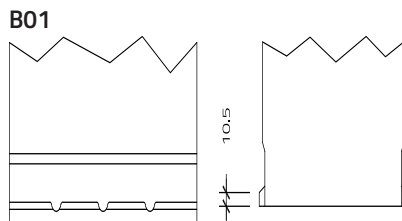


Technology **Calcium or hybrid battery (Ca/Ca or Sb/Ca)**

Terminal **1**



Base plate



As of 23.11.2022