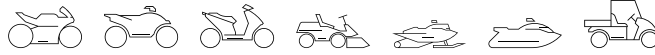


Motorcycle Batteries



intAct Bike-Power GEL

Sealed maintenance-free GEL battery | electrolyte immobilized by gel-additive | wet charged



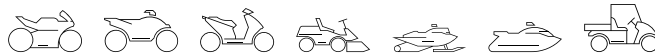
FOR HEAVY LOADS, INCLUDING ABS

Delivers 30% more starting power for modern motorcycles with many electrical consumers and covers consumption peaks. Low self-discharge, bike starts reliably even after up to 3 months. Our recommendation if many consumers are installed or the motorcycle is rarely used.

- » **Even more cycle-resistant** than Bike-Power AGM and Bike-Power SLA of the same box size.
- » **Low self-discharge.** For seasonal use.
- » **Very high vibration-resistance.** Electrolyte immobilized by gel-additive.
- » **30% more starting power** than a conventional battery of the same box size. For motorcycles with many consumers, including ABS.
- » **Sealed maintenance-free** battery. Refilling is neither possible nor necessary.
- » Wet charged. **Ready to use.**

Datasheet

BIKE
POWER **GEL**



Artnum.

GEL12-16L-B

Japan-Code

CB16L-B, 51911

Volt

12V

Capacity

19 AH (c20)

CCR - 18°C (EN)

280 A (EN)

Electrolyte

diluted sulphuric acid

Electrolyte density

1,28 +/- 0,01 kg/l (25°)

Size (LxWxH)

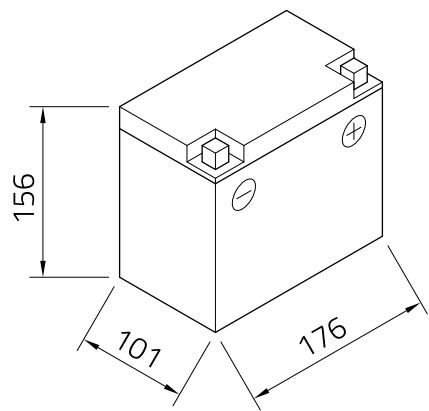
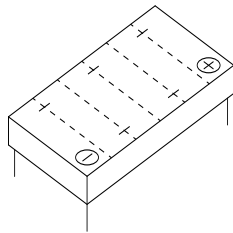
176 x 101 x 156 mm

Weight

6,4 kg

Pos. of Terminal

0

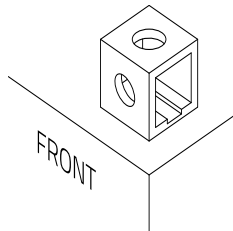


Technology

Sealed maintenance-free GEL battery | electrolyte immobilized by gel-additive | wet charged

Terminal

A



Base plate

-

As of 21.11.2022

KECKEISEN
AKKUMULATOREN

Stefan Keckeisen
Akkumulatoren e.K.

Europastraße 9
87700 Memmingen

Fon +49 (0) 8331-94444-0
Fax +49 (0) 8331-94444-9

info@intact-batterien.de
www.intact-batterien.de