

FG26507

FIAMM

FIAMM Sealed Power

FG series

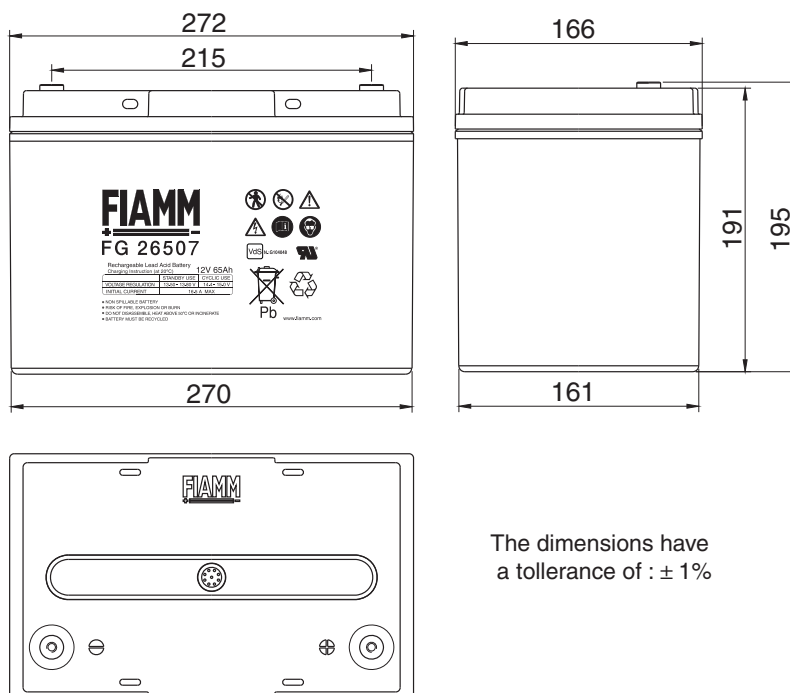
FG26507 is a general purpose application battery. Within the FG range Fiamm offer 6V and 12V monoblocs at various amp hour capacities enable the right battery selection for each requirement. FIAMM Sealed Power is a Manufacturer of VRLA batteries; and is supported by a dedicated sales network with market knowledge and experience of small sealed lead acid battery applications.

**12 Volt
65 Ah**

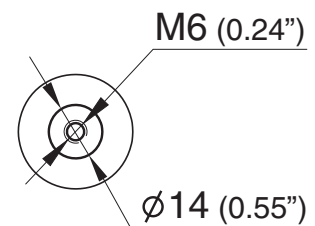


Features

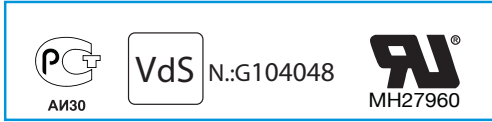
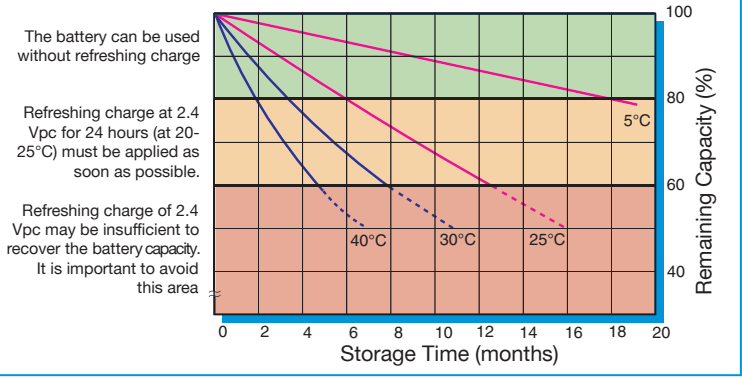
Nominal Voltage	12 Volt
Nominal Capacity	65 Ah 20 hours rate to 1.75 Vpc at 25 °C
Float charging voltage	13.50 - 13.80 V/bloc at 25 °C
Boost charge voltage	14.40 - 15.00 V/bloc at 25 °C
Float voltage compensation	-18mV/°C
Maximum charging current	16.25 A
Case	ABS with HB fiammability rate (according UL 94)
Internal resistance	3.5 mΩ in full charged condition
Weight	23.20 kg
Dimensions	L x W x H (TH): 271 x 166 x 190 (190)
Operative temperature range	-20 °C to 50 °C
Shelf life procedures	As batteries lose part of their capacity, during storage, due to self discharge. Fiamm Sealed Power recommends FG range of batteries can be stored for 6 months at an ambient temperature of 20 and 25 °C (see attached graph on reverse). Longer storage requires a recharge. This should be carried out in line with Fiamm Sealed Power recommended method; 2.4 V/cell for no longer than 24 hours at 20 °C



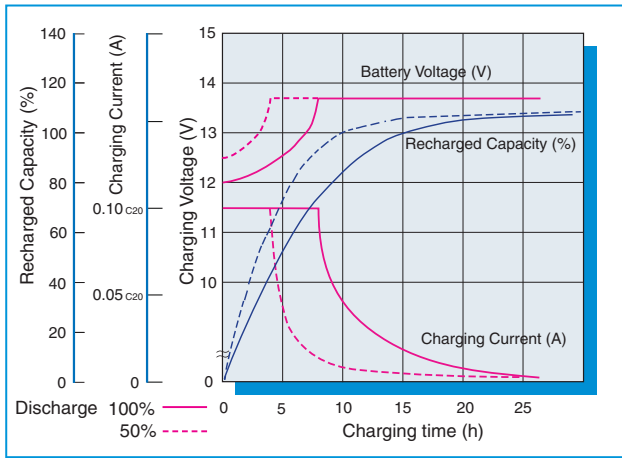
Threaded inserted
M6



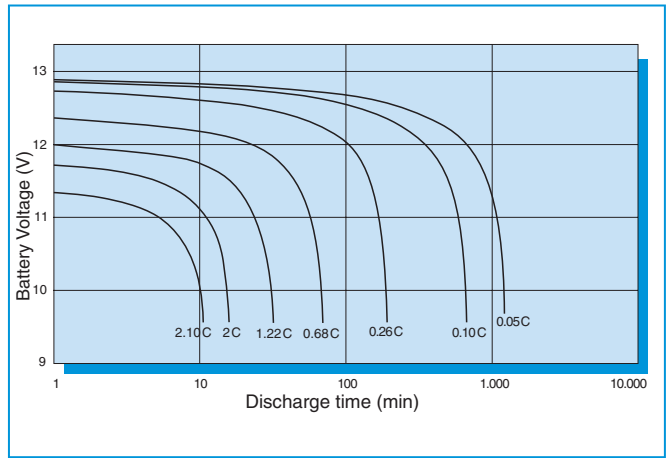
Capacity loss during storage at various temperatures



Battery Voltage and Charge Time for Standby Use (at 25°C)



Discharge curves at different current / final voltage (at 25°C)



Costant Current discharge table (Amperes)

end voltage	5 min	10 min	15 min	20 min	30 min	45 min	1 hour	2 hour	3 hour	5 hour	10 hour	20 hour
9.60	219	158	120	97.2	71.6	52.0	40.9	23.0	16.6	11.0	6.07	3.36
9,90	208	152	117	95.2	70.6	51.5	40.5	22.8	16.4	10.9	6.03	3.32
10,02	201	148	115	93.9	69.9	51.1	40.2	22.6	16.3	10.8	5.99	3.30
10,20	195	145	114	92.7	69.3	50.7	40.0	22.4	16.1	10.7	5.95	3.28
10,50	182	138	109	90.1	67.8	49.5	39.4	22.0	15.9	10.5	5.82	3.25
10,80	165	129	103	85.8	64.9	47.7	38.2	21.5	15.4	10.1	5.68	3.20

Costant Power discharge table (Watts per bloc)

end voltage	5 min	10 min	15 min	20 min	30 min	45 min	1 hour	2 hour	3 hour	5 hour	10 hour	20 hour
9.60 V	2190	1616	1254	1036	782	578	460	263	190	127	70.5	39.1
9,90 V	2089	1568	1228	1021	773	575	457	261	189	126	70.2	38.8
10,02 V	2025	1533	1216	1010	767	571	454	259	188	125	69.9	38.7
10,20 V	1961	1499	1203	998	761	567	452	257	187	124	69.6	38.6
10,50 V	1833	1434	1159	974	748	556	447	254	185	123	68.6	38.5
10,80 V	1671	1342	1104	933	721	539	436	249	181	119	67.1	38.1

FIAMM reserves the right to change or revise without notice any information or detail given in this publication