

Motorcycle Batteries

BIKE
POWER **LITHIUM**



intAct Bike-Power Lithium

Sealed maintenance-free lithium-iron-phosphate battery (LiFePO₄)



intAct
BATTERY - POWER

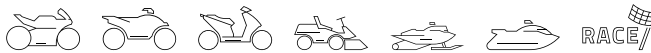
SMALL POWERHOUSE WITH A LONG SERVICE LIFE

Perfect for racing, and whenever every gram and every centimetre counts. Thanks to balancing, the battery ages more slowly and its full capacity is retained longer.

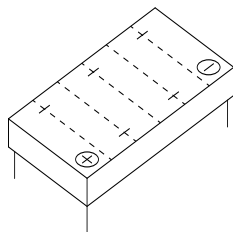
- » **Long service life** thanks to intelligent battery management with balancing.
- » **Weight savings** of up to 75% compared to a conventional motorcycle battery.
- » **Low self-discharge.**
- » **Extremely fast charging.**
- » **Special heat-resistant nylon housing** with cast brass poles, waterproof (LI-01 to LI-08)
- » **Ready to install and ready to use.**

Datasheet

BIKE
POWER **LITHIUM**

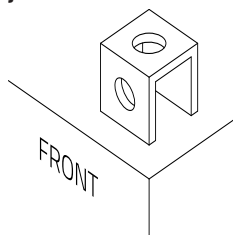


Artnum.	LI-09
Japan-Code	HJTX9-FP
Volt	12,8V
Capacity	3 AH (c10), 36 Wh
CCR - 18°C (EN)	180 A (CCA)
Electrolyte	
Electrolyte density	≥1000
Size (LxWxH)	150 x 87 x 105 mm
Weight	0,7 kg
Pos. of Terminal	1

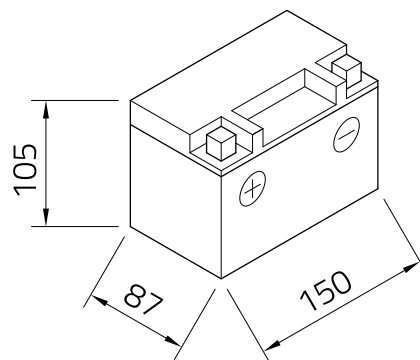


Technology Sealed maintenance-free lithium-iron-phosphate battery (LiFePO4)

Terminal J



Base plate -



As of 18.11.2022