

SBL330-12HR V0 Xtreme (12V75Ah)

Applications (for industrial standby use)

- Uninterruptable Power Supply (UPS)
- Electric Power System (EPS)
- Emergency backup power supply
- Emergency light
- Railway signal
- Alarm and security system
- Communication power supply
- DC power supply



Certificates



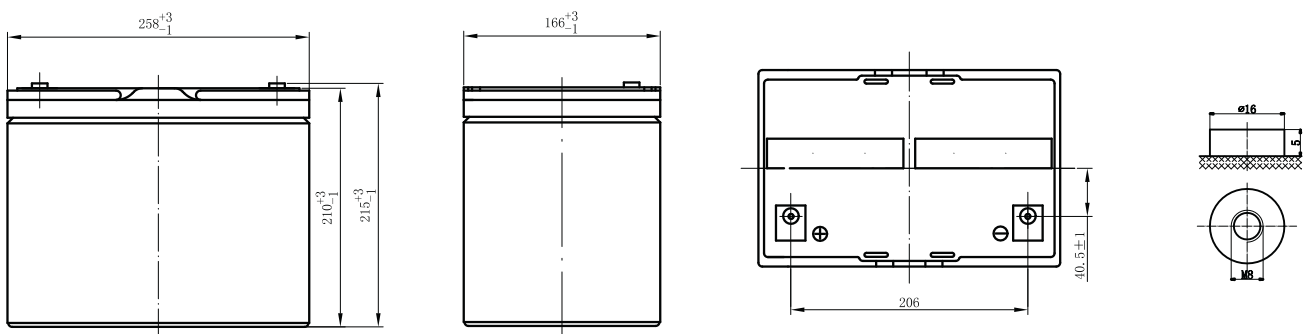
Specifications

| | | | |
|---|------------------------------------|-----------------------------------|---|
| Nominal Voltage | 12V | Operating Temp. Range | Discharge: -20~60°C |
| Nominal Capacity | 75Ah (C ₁₀ , 1.8V/cell) | | Charge: -10~45°C |
| Approx. Weight | 25kg | | Storage: -20~40°C |
| Terminal | M8 | Standby Use | Initial Charging Current less than 24A. |
| Container Material | ABS UL94 V0 | | Voltage 2.295 V/cell at 20°C. |
| Rated Capacity (20°C) | 75Ah/7.5A, 10hr, 10.8V | | Temperature Coefficient -20mV/°C. |
| | 64.2Ah/12.84A, 5hr, 10.5V | Capacity affected by Temp. | 30°C 103% |
| | 58.89Ah/19.63A, 3hr, 10.5V | | 20°C 100% |
| | 69.1Ah/69.1A, 1hr, 9.6V | | 0°C 89% |
| Max. Discharge Current | 800A (5s) | Self Discharge | SSB batteries may be stored for up to 6 months at 20°C and then a freshening charge is required. For higher temperatures the time interval will be shorter. |
| Internal Resistance / Impedance (1kHz) | Approx. 5.0mΩ | Life Expectancy | >12 years according to EUROBAT |
| Nominal Oper. Temp. R. | 20±2°C | | |

Dimensions

■ M8 Terminal

Unit: mm | Dimensions: 258 Length X 166 Width X 210 Height (215 Height incl. Terminal)



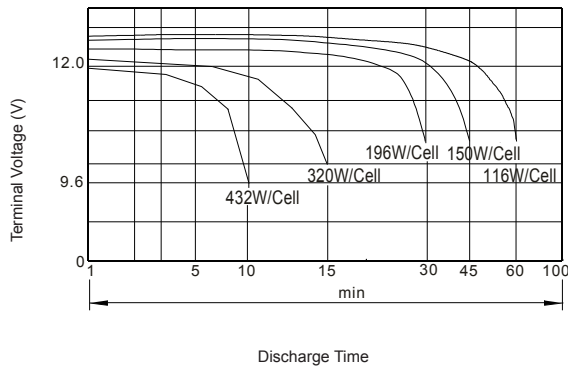
Constant Current Discharge (Amperes) at 20°C

| End Voltage | 3min | 5min | 10min | 15min | 20min | 25min | 30min | 45min | 60min | 90min | 3h | 5h | 8h | 10h |
|-------------|------|------|-------|-------|-------|-------|-------|-------|-------|-------|-------|-------|------|------|
| 1.60V/cell | 397 | 332 | 242 | 183 | 153 | 130 | 116 | 87.8 | 69.1 | 39.20 | 21.15 | 13.70 | 9.16 | 7.80 |
| 1.65V/cell | 386 | 319 | 231 | 174 | 148 | 127 | 113 | 85.2 | 67.3 | 38.10 | 20.55 | 13.41 | 8.96 | 7.73 |
| 1.67V/cell | 382 | 314 | 227 | 170 | 146 | 126 | 112 | 84.2 | 66.6 | 37.70 | 20.40 | 13.23 | 8.86 | 7.73 |
| 1.70V/cell | 372 | 305 | 216 | 164 | 140 | 122 | 109 | 82.2 | 64.2 | 37.25 | 20.18 | 13.10 | 8.76 | 7.65 |
| 1.75V/cell | 348 | 272 | 198 | 154 | 131 | 113 | 102 | 79.1 | 62.2 | 36.40 | 19.63 | 12.84 | 8.60 | 7.58 |
| 1.80V/cell | 318 | 249 | 183 | 144 | 124 | 108 | 98 | 73.6 | 57.9 | 35.45 | 19.08 | 12.53 | 8.40 | 7.50 |

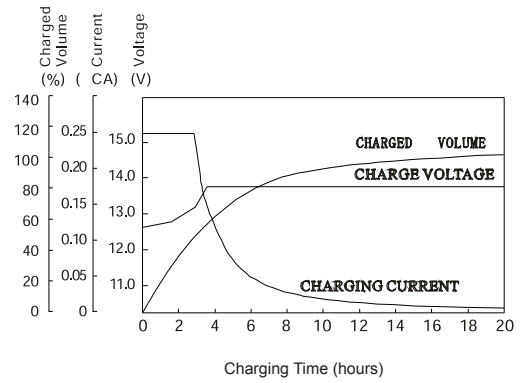
Constant Power Discharge (Watts/cell) at 20°C

| End Point | 3min | 5min | 10min | 15min | 20min | 25min | 30min | 45min | 60min | 90min | 3h | 5h | 8h | 10h |
|------------|------|------|-------|-------|-------|-------|-------|-------|-------|-------|-------|-------|-------|-------|
| 1.60V/cell | 810 | 640 | 432 | 327 | 281 | 241 | 213 | 158 | 124 | 71.64 | 42.09 | 27.10 | 17.91 | 14.84 |
| 1.65V/cell | 754 | 598 | 420 | 322 | 273 | 235 | 209 | 155 | 122 | 69.74 | 41.09 | 26.55 | 17.53 | 14.55 |
| 1.67V/cell | 732 | 581 | 415 | 320 | 270 | 232 | 207 | 154 | 121 | 68.77 | 40.52 | 26.26 | 17.35 | 14.40 |
| 1.70V/cell | 673 | 551 | 386 | 301 | 263 | 228 | 204 | 152 | 119 | 67.83 | 39.96 | 25.98 | 17.17 | 14.26 |
| 1.75V/cell | 643 | 500 | 364 | 288 | 249 | 216 | 196 | 150 | 116 | 65.93 | 38.96 | 25.42 | 16.81 | 13.94 |
| 1.80V/cell | 583 | 465 | 340 | 273 | 238 | 210 | 188 | 142 | 111 | 64.13 | 37.83 | 24.75 | 16.43 | 13.65 |

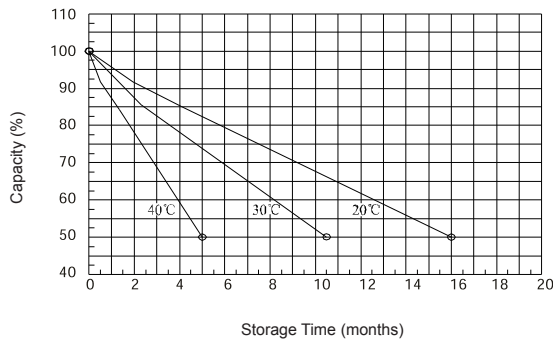
Discharge Characteristics



Float Charging Characteristics



Self-Discharge Characteristic



Effect of Temperature on Long Term Float Life

